

**VILLAGE OF NEW GLARUS
PARKS & RECREATION COMMITTEE
5/10/23 6:30 P.M.**

**Village Hall Board Room
319 2nd Street New Glarus, WI**

AGENDA:

1. Call to order
2. Approval of Agenda
3. Public Comment Period
4. Approval of Minutes: 3/30/23
5. Monthly Parks & Recreation Report
6. Consideration/Discussion: New Glarus Youth Baseball Association Funding Request for Pitching Machine
7. Consideration/Discussion: Update on Ballfield Sign Advertising Program
8. Consideration/Discussion: Charging Station at Village Park
9. Consideration/Discussion: Bathroom at Village Park
10. Consideration/Discussion: Removal of Slide at Village Pool
11. Consideration/Discussion: Candy Cane Park Land Acquisition & Maintenance
12. Consideration/Discussion: Hoesly Pond
13. Adjournment

Chuck Phillipson, Chair Parks & Recreation Committee

AGENDA

POSTED: N.G. Village Hall 5/5/23
 N.G. Post Office 5/5/23
 Bank of New Glarus 5/5/23



Kelsey A. Jenson, Clerk

PURSUANT TO APPLICABLE LAW, NOTICE IS HEREBY GIVEN THAT A QUORUM OR A MAJORITY OF THE NEW GLARUS VILLAGE BOARD OF TRUSTEES MAY ATTEND THIS MEETING. INFORMATION PRESENTED AT THIS MEETING MAY HELP FORM THE RATIONALE BEHIND FUTURE ACTIONS THAT MAY BE TAKEN BY THE NEW GLARUS VILLAGE BOARD.

PERSONS REQUIRING ADDITIONAL SERVICES TO PARTICIPATE IN A PUBLIC MEETING MAY CONTACT THE VILLAGE CLERK FOR ASSISTANCE AT 527-2510.

Village of New Glarus
Parks and Recreation Meeting Minutes
March 30, 2023 - 6:30 PM

MEETING CALL TO ORDER: Chair Chuck Phillipson called meeting to order at 6:30 PM.

PRESENT: Chuck Phillipson and Mike Marty

ALSO PRESENT: Village President Roger Truttman, Village Administrator Lauren Freeman, Public Works Director Joe Cockroft, Bekah Stauffacher

APPROVAL OF AGENDA: By consent.

APPROVAL OF MINUTES FROM 2.28.23: Motion by Mike Marty to approve minutes, seconded by Chuck Phillipson. Motion carried 2-0.

PUBLIC COMMENT PERIOD: No public comments.

CONSIDERATION/DISCUSSION: Application of use of Glarner Park – Sugar River:

The Committee discussed the food truck that normally operates during this event. Village Administrator Freeman explained that the food truck would need separate approval. Motion by Mike Marty to approve application, seconded by Chuck Phillipson. Motion carried 2-0.

CONSIDERATION/DISCUSSION: Special Event Permit Application – USA Tug of War:

Village Administrator Freeman provided a draft list of conditions for approval for the special event permit. Phillipson stated he did not want the grass damage issue in Village Park again. The Committee discussed the possibility of moving the event to Hoesly Pond. Motion by Mike Marty to deny application at Village Park and recommend moving to Hoesly Pond, second by Chuck Phillipson. Motion carried 2-0.

CONSIDERATION/DISCUSSION: Parks and Recreation Summer LTE Position:

Village Administrator Freeman provided a brief job description and budget for the parks and recreation summer LTE position. Marty asked about safety training and supervision for the LTE. Freeman stated they could reach out to the insurance provider for safety manuals and Public Works Director Cockroft stated that they give the LTEs age-appropriate tasks. Motion by Chuck Phillipson to hire a Parks & Recreation LTE for 400 hours at \$15/hour and reduce the Parks & Recreation Directors hours, second by Mike Marty. Motion carried 2-0.

CONSIDERATION/DISCUSSION: Candy Cane Park Grant and Amendment to the Comprehensive Outdoor Recreation Plan (CORP):

Committee discussed the appraisal that was completed for the grant application to fund the land acquisition adjacent to Candy Cane Park. The Committee recommended the amendment to the CORP by consent.

CONSIDERATION/DISCUSSION: American Rescue Plan Act (ARPA) Projects:

Committee recommended all three proposed projects to be funded with ARPA funds by consent.

CONSIDERATION/DISCUSSION: Hoesly Pond:

Marty stated he is working on getting information from the DNR on next steps for dredging the pond but does not have an update.

The meeting was adjourned at 7:41 PM.

-Lauren Freeman
Village Administrator

VILLAGE OF NEW GLARUS



ADMINISTRATION DEPARTMENT

MEMORANDUM

To: Parks & Recreation Committee
From: Kelsey Jenson, Village Clerk/Treasurer
Date: May 10, 2023
Re: Update on Ballfield Sign Advertising Program

The Ballfield Sign Advertising Program was a huge success for its inaugural year. We budgeted \$25,000 in gross revenue and \$8,500 in expenses for a total net revenue of \$16,500 in the 2023 budget. That was calculated based on selling 20 signs total – 10 at Glarner for \$1,500/each and 10 at Veteran’s for \$1,000/each.

We ended up selling 33 signs, for a total gross revenue of \$39,700. The expenses per sign are expected to be around \$450, which includes the clips recommended for hanging. The total expenses are estimated at \$14,850.00, which leaves a net revenue of \$24,850. This is an increase of \$8,350 over our projected net revenue of \$16,500.

After budgeting last fall, we implemented a “Double Duo” option that allowed businesses to purchase two identical signs (one at each field) for \$2,300 (a \$200 discount). This is was a very popular option among our purchasers, with 14 of the 19 electing to do so.

The signs that were purchased this year will be hung at the fields by May 19.

Due to the success of the program, and still having fence space available, we would like to offer this program again next year for more businesses. These businesses would be on a separate 5-year track from those that purchased this year, and there would most likely be a slight price-increase in the advertising options. Per PW Director Cockroft, we have room for approximately 57 signs at Veteran’s Park and 28 signs at Glarner Park. We currently have 14 going to Veteran’s (leaving 43 spots available), and 19 going to Glarner (leaving 9 available).

Thank you to the Park and Recreation Committee for their support of this project!

VILLAGE OF NEW GLARUS



MEMORANDUM

To: Parks & Recreation Committee
From: Amy Trumble, Library Director
Date: May 10, 2023
Re: Charging Station at Village Park

I know a while back Erica had come to a Parks meeting to get approval for the charging pole to be placed in Village Park. We now have the charging pole and it is ready to install. Since the time of the approval, we have been approached with the offer of a Polywood bench (from the Lion's plastic bag collections) that could be situated adjacent to the charging station. I believe we would have to get a new approval in order to modify the plan (first from Parks and then from the Village Board).

The changes to the original plan that we would be looking at are:

- Instead of a 16" x 16" square of concrete we would be looking at a 12' x 8' pouring for the bench and charging pole (The Friends of the Library agreed to fund this if approved. The estimate from Bobby Pernot is attached).
- Originally, it was to be placed somewhere near the shelter. After talking with Joe, the thought was to put it between the shelter and 2nd Street. Situating it away from the play area. (See attached pdf map of proposed new location. The map is not to scale.).

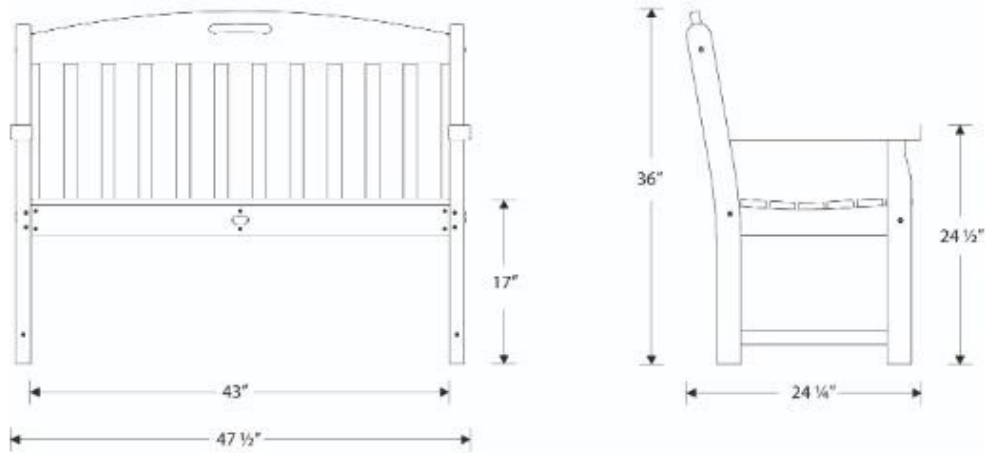
I have also attached pictures of the bench and a similar set up with a bench and charging pole that I received from the Sun Charge Systems company representative (The picture shows two benches and two charging poles, we would have one of each).

With all of the activity that takes place downtown and in Village Park during the year, visitors might benefit from a spot to sit and recharge their phones while taking in all that New Glarus has to offer. Having it situated away from the play area a bit may help ensure that it is used for its intended purpose and kids at the park don't think it is another thing for them to be playing with. Joe and I also considered set up and take down of park events and it should not interfere with those activities, nor should it interfere with snow removal on the sidewalks during the winter months. If you have any other questions or concerns that I may have forgotten to address, please let me know.

Bench Picture:

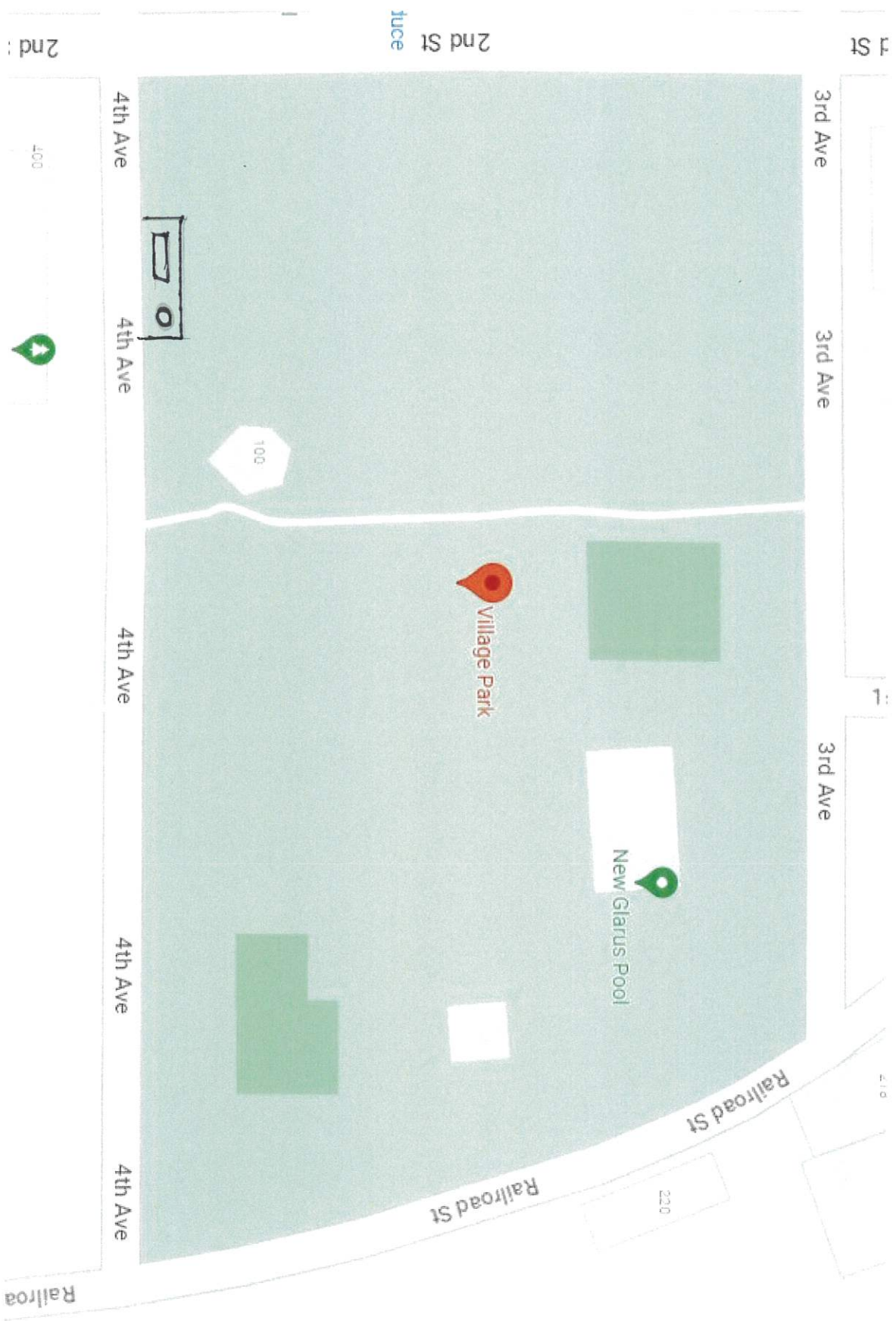


Bench Dimensions:



Charging Poles:





1 St

3rd Ave

3rd Ave

3rd Ave

1:

4:10

Railroad St

Railroad St

220

2nd St
tuce

4th Ave

4th Ave

4th Ave

4th Ave

4th Ave

2nd :

400



Railroa

